



GU10 EXTERIOR WALL PILLAR LIGHTS (WHITE)



Exterior Lighting



PGUDWH



PG1FWH



PG1AWH

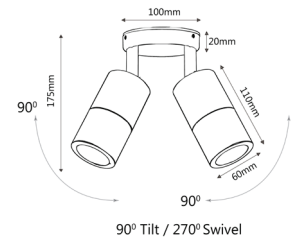
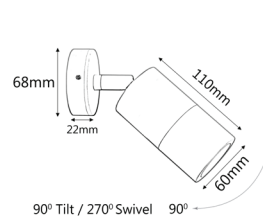
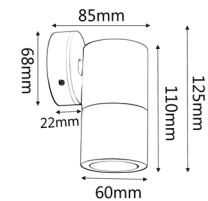
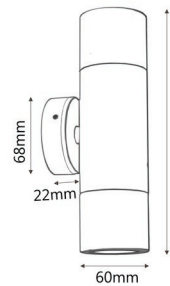


PG2AWH

PRODUCT FEATURES

- Input voltage range: 110-265V AC 50/60Hz
- Material: aluminium
- Colour: powder coated white
- Max 35W halogen globe(s)
- Lamp holder: GU10 (Max.35W halogen globes)
- Globes not included

GU10	IP65 Rated	2YEAR Replacement Warranty
------	----------------------	-----------------------------------------



PART NO.	DESCRIPTION	LAMP HOLDER	MAX. WATT	BACK PLATE (mm)	WEIGHT (KG)	BOX (CM)	CARTON QTY
PGUDWH	WALL GU10 X 2 PILLAR UP/DN WH	2xGU10	2x35W	ø68x22	0.58	22.5 x 9.5 x 8.5	1/20
PG1FWH	WALL GU10 PILLAR FIXED WH	1xGU10	35W	ø68x22	0.40	15 x 10 x 8	1/20
PG1AWH	WALL GU10 PILLAR S/ADJ WH 90D Tilt 270D	1xGU10	35W	ø68x22	0.42	19.5 x 8 x 8	1/25
PG2AWH	WALL GU10X2 PILLAR D/ADJ RND BASE WH 90D Tilt 270D	2xGU10	2x35W	ø100x20	0.75	19 x 12 x 12	1/10



GU10 EXTERIOR BAR LIGHTS (White)



PG2BARWH



PG3BARWH



PG4BARWH



PG4SQWH

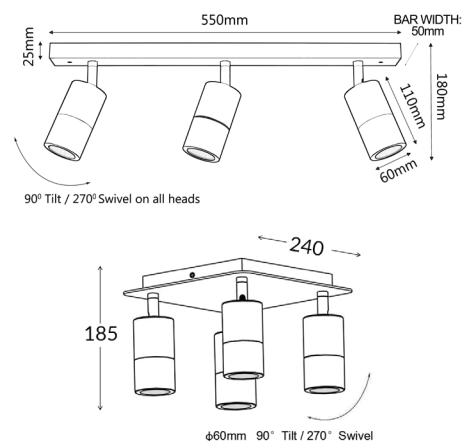
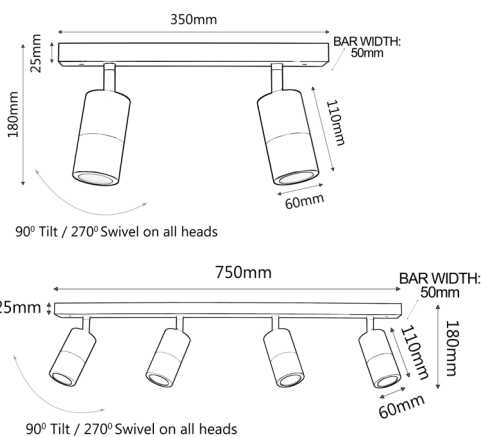
PRODUCT FEATURES

- Input voltage range: 110-265V AC 50/60Hz
- Material: aluminium
- Colour: powder coated white
- Lamp holder: GU10 (Max.35W halogen globes)
- Globes not included

GU10

IP44
 Rated

2YEAR
 Replacement
 Warranty



PART NO.	DESCRIPTION	LAMP HOLDER	MAX. WATT	BACK PLATE(mm)	WEIGHT (KG)	LENGTH (CM)	CARTON QTY
PG2BARWH	WALL GU10 X 2 PILLAR D/ADJ BAR WH	2xGU10	2x35W	350x50x25	1.07	7.4x20.7x36.7	1/10
PG3BARWH	WALL GU10 X 3 PILLAR 3 Light BAR WH	3xGU10	3x35W	550x50x25	1.53	7x20.5x56.5	1/10
PG4BARWH	WALL GU10 X 4 PILLAR 4 LIGHT BAR WH	4xGU10	4x35W	750x50x25	2.00	7.5x20x76.5	1/10
PG4SQWH	WALL GU10 X 4 PILLAR 4 Light BAR SQ WH	4xGU10	4x35W	240x240	2.03	26.5x26.5x21.5	1/4